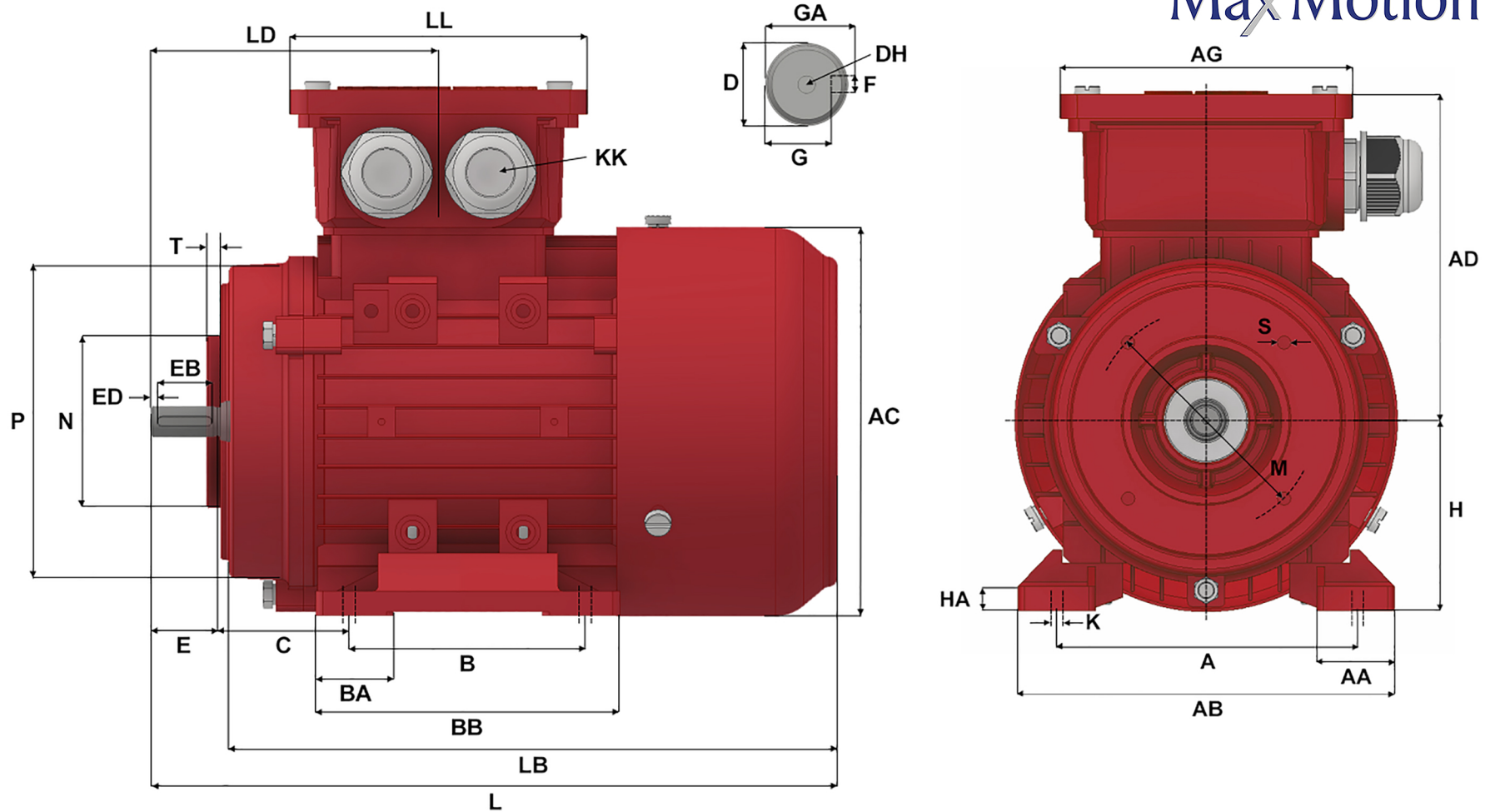


MaxMotion



Version: 1JLEM		Revised: 09-11-2019		HP	RPM	FRAME	ENCLOSURE	IJA90S-6-B34A								
Customer is responsible in determining that Max Motion product will fit/perform suitably in the intended application								1	1120	90S	TEFC					
A	B	C	D	E	F	G	H	K	L	M	N	P				
140	100	56	24	50	8	20	90	10 X 14	320	115	95	140				
S	T	AA	AB	AC	AD	AG	BA	BB	DH	EB	ED	GA				
M8	3	37	173	175	138	109	31.5	125	M8 X 19	40	5	27				
HA	KK (1)	KK (2)	KK (3)	LB	LD	LL										
10	M20 X 1.5	3/4" NPT	-	270	136	109										